

Product data sheet

Characteristics

9070T2000D15

Transformer, Type T, industrial control, 2000 VA, 240/480 VAC pri / 24/120 VAC second, 1 phase, 50/60 Hz, 115 °C rise



Product availability: Non-Stock - Not normally stocked in distribution facility

Price*: 1358.00 USD



Main

Product or Component Type	Industrial Control Transformer
Rated power in VA	2000 VA
Range of Product	T

Complementary

Phase	1 phase
Rated power in VA	2000 VA UL 2000 VA CSA 2000 VA NOM 1500 VA
Temperature rise	115 °C
Electrical Connection	Screw clamp terminals
Maximum Height	6.17 In (156.72 mm)
Maximum Width	7.06 In (179.32 mm)
Maximum Depth	7.17 In (182.12 mm)
Material	Copper winding
Product Compatibility	FSC2

Environment

Product Certifications	CSA file LR37055 guide 184-N-90 UL listed file E61239
NEMA Degree of Protection	Not rated (open device)
Insulation temperature	356 °F (180 °C)

Ordering and shipping details

Category	16206 - 9070 T (NOT TF) MTO
Discount Schedule	CP8
GTIN	00785901607687
Nbr. of units in pkg.	1
Package weight(Lbs)	1 Lb(US) (0.45 kg)
Returnability	No
Country of origin	US

Packing Units

Package 1 Height	11.00 In (27.940 cm)
Package 1 width	11.25 In (28.575 cm)
Package 1 Length	14.19 In (36.043 cm)

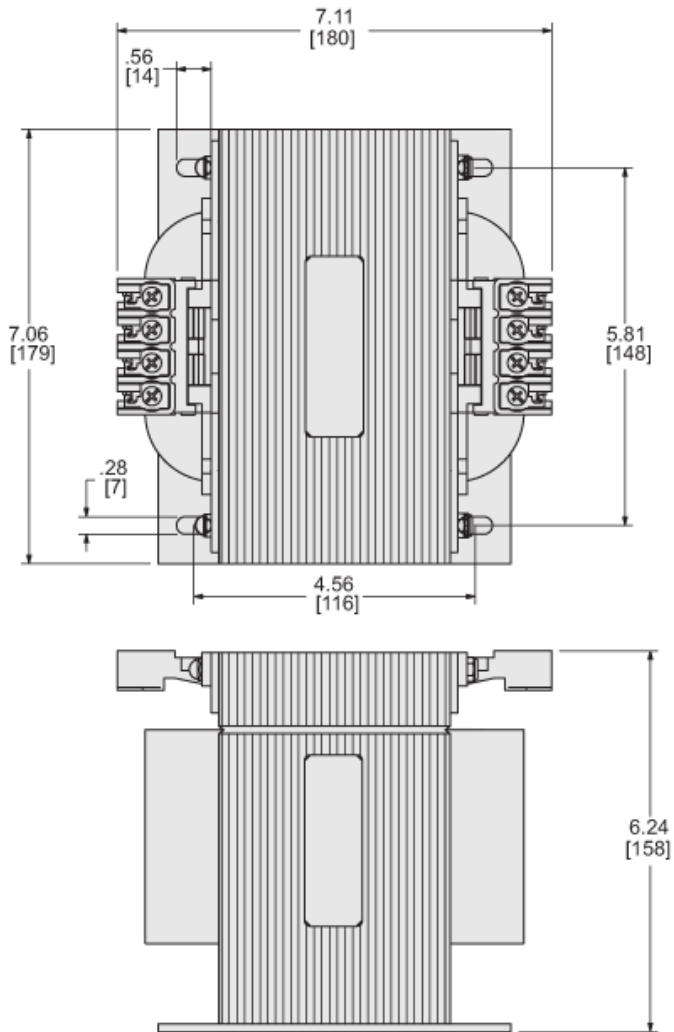
Offer Sustainability

Sustainable offer status	Green Premium product
California proposition 65	WARNING: This product can expose you to chemicals including: Phenyl Glycidyl Ether, which is known to the State of California to cause cancer and birth defects or other reproductive harm. For more information go to www.P65Warnings.ca.gov
REACH Regulation	REACH Declaration
EU RoHS Directive	Compliant EU RoHS Declaration
Mercury free	Yes
RoHS exemption information	Yes
China RoHS Regulation	China RoHS Declaration
Environmental Disclosure	Product Environmental Profile
PVC free	Yes

Contractual warranty

Warranty	10 Years
----------	----------

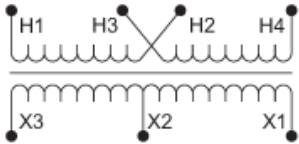
Approximate Dimensions



Connections and Wiring Diagrams

Voltage and Connection Options

Voltage Code	Voltages		Connections	
	Primary	Secondary	Primary	Secondary
D15	240 x 480	23/110 24/ /120	240: Connect to H1 and H4 Jumper H1 with H3 Jumper H2 with H4 480: Connect to H1 and H4 Jumper H2 with H3	23 or 24 or 25: Connect to X1 and X2 110 or 115 or 120: Connect to X1 and X3



Product Life Status : **Commercialised**